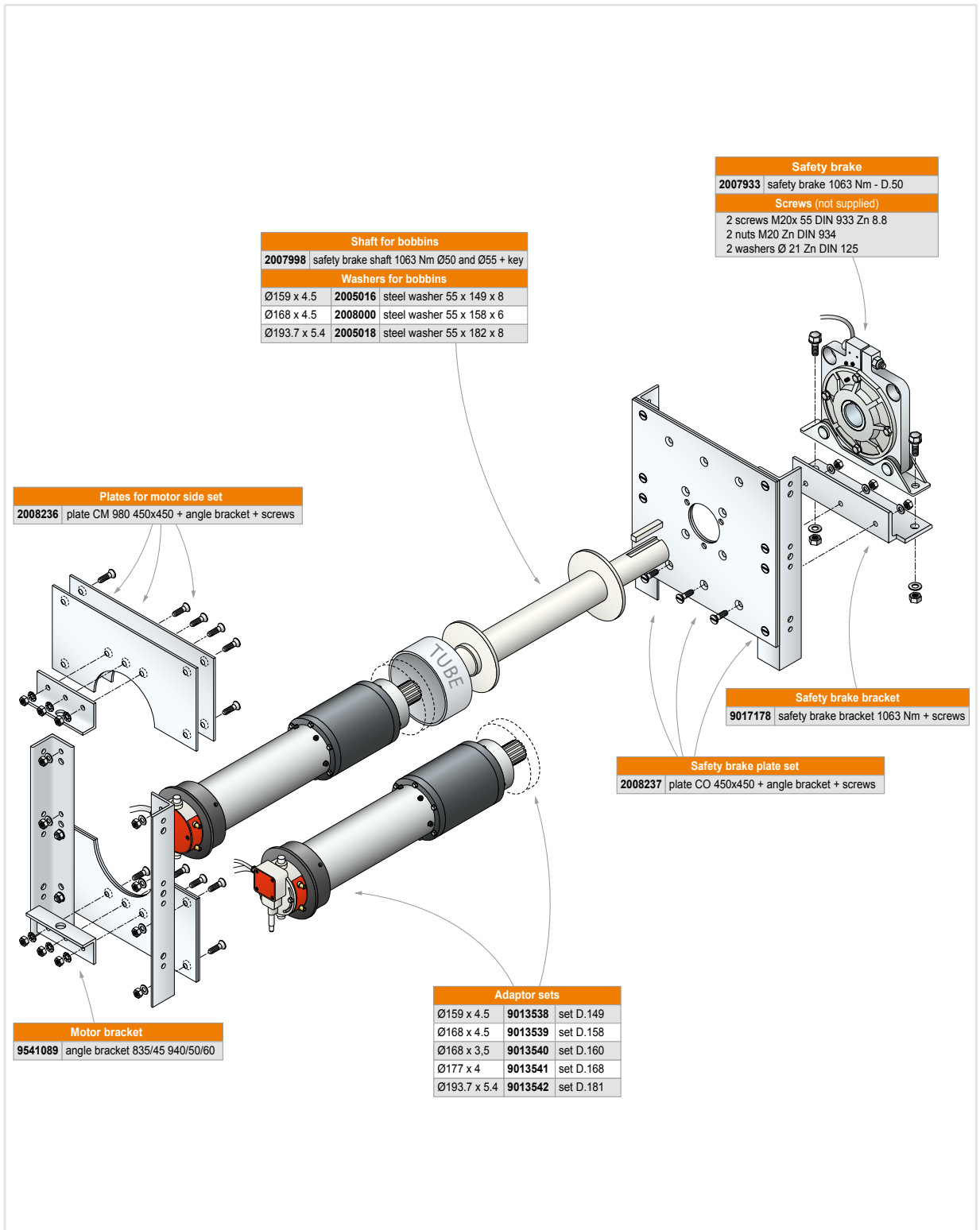


ACCESSORIES FOR PLATE MOUNTING

FOR T9 (980) MOTOR

AND SAFETY BRAKE



Shaft for bobbins

2007998 safety brake shaft 1063 Nm Ø50 and Ø55 + key

Washers for bobbins

Ø159 x 4.5 **2005016** steel washer 55 x 149 x 8

Ø168 x 4.5 **2008000** steel washer 55 x 158 x 6

Ø193.7 x 5.4 **2005018** steel washer 55 x 182 x 8

Safety brake

2007933 safety brake 1063 Nm - D.50

Screws (not supplied)

2 screws M20x 55 DIN 933 Zn 8.8

2 nuts M20 Zn DIN 934

2 washers Ø 21 Zn DIN 125

Plates for motor side set

2008236 plate CM 980 450x450 + angle bracket + screws

Safety brake bracket

9017178 safety brake bracket 1063 Nm + screws

Safety brake plate set

2008237 plate CO 450x450 + angle bracket + screws

Motor bracket

9541089 angle bracket 835/45 940/50/60

Adaptor sets

Ø159 x 4.5 **9013538** set D.149

Ø168 x 4.5 **9013539** set D.158

Ø168 x 3.5 **9013540** set D.160

Ø177 x 4 **9013541** set D.168

Ø193.7 x 5.4 **9013542** set D.181