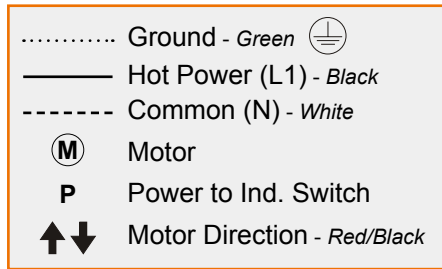



RELAY GROUPS

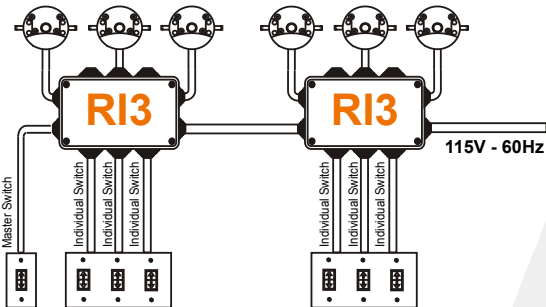
RI3 GROUP

RI3 RELAY GROUP

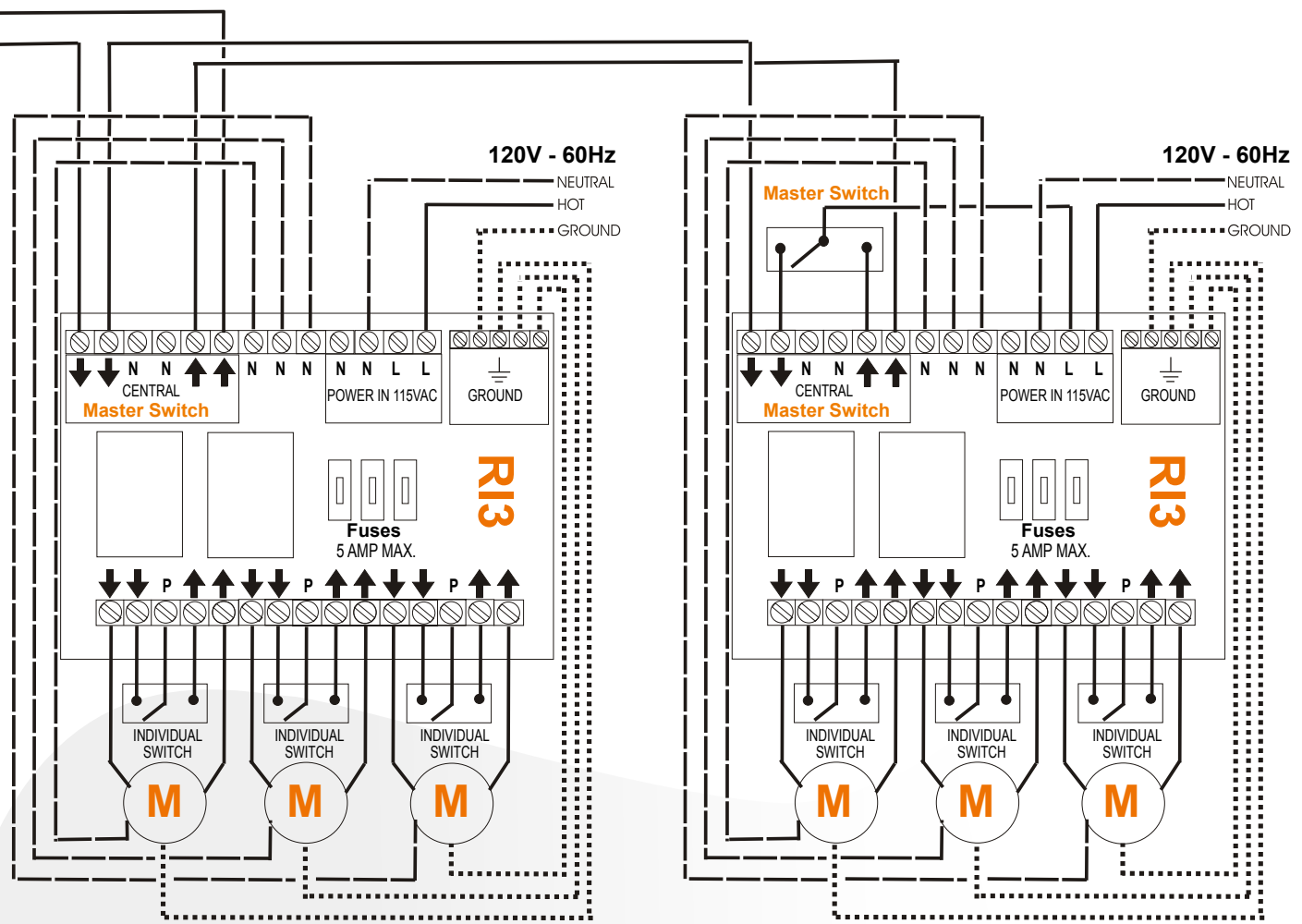
- o 6 Motors
- o 1 Momentary Master Switch
- o 6 Momentary Individual Switches (Optional)



Note: Connections are only at terminals 



To other RI3 and RI2 Relays in group



NOTICE: For installation by a qualified electrician in accordance with national and local electrical codes, and the following Instructions.

CAUTION: RISK OF ELECTRICAL SHOCK. Disconnect power before installing. Never wire energized electrical components.