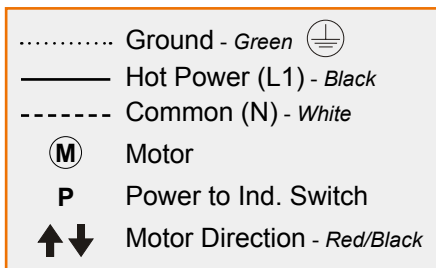
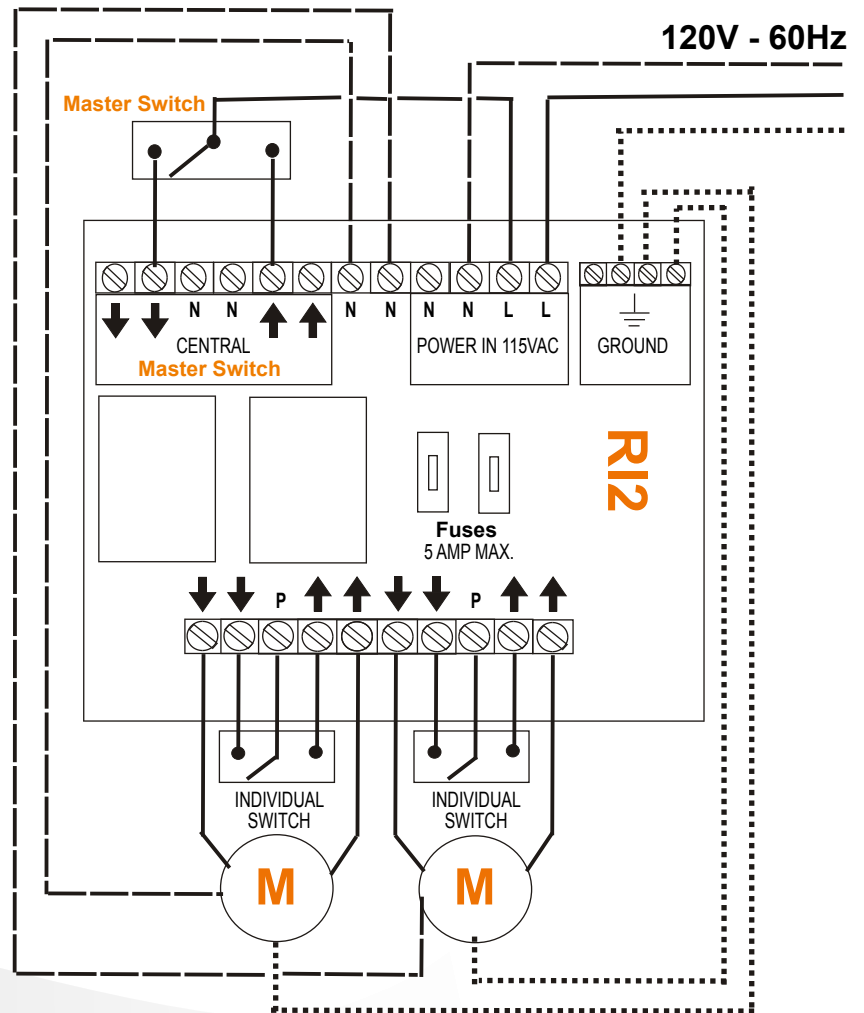
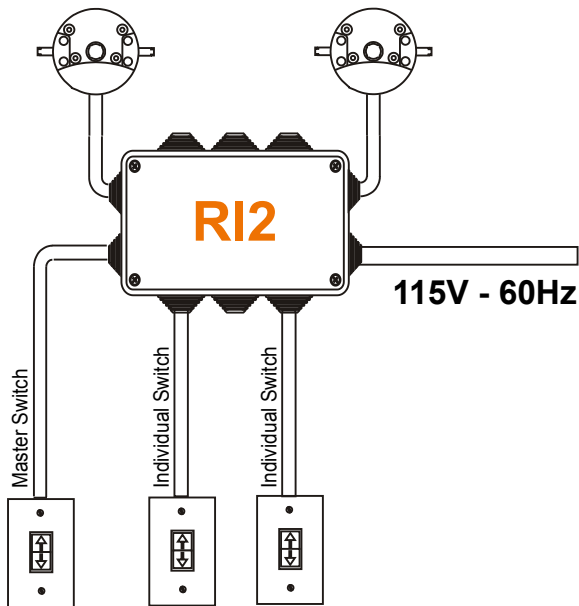


# RELAY GROUPS

## RI2

### RI2

- 2 motors
- 1 Momentary Master Switch
- 2 Momentary Individual Control Switches (Optional)



Note: Connections are only at terminals

**NOTICE:** For installation by a qualified electrician in accordance with national and local electrical codes, and the following Instructions.

**CAUTION:** RISK OF ELECTRICAL SHOCK. Disconnect power before installing. Never wire energized electrical components.