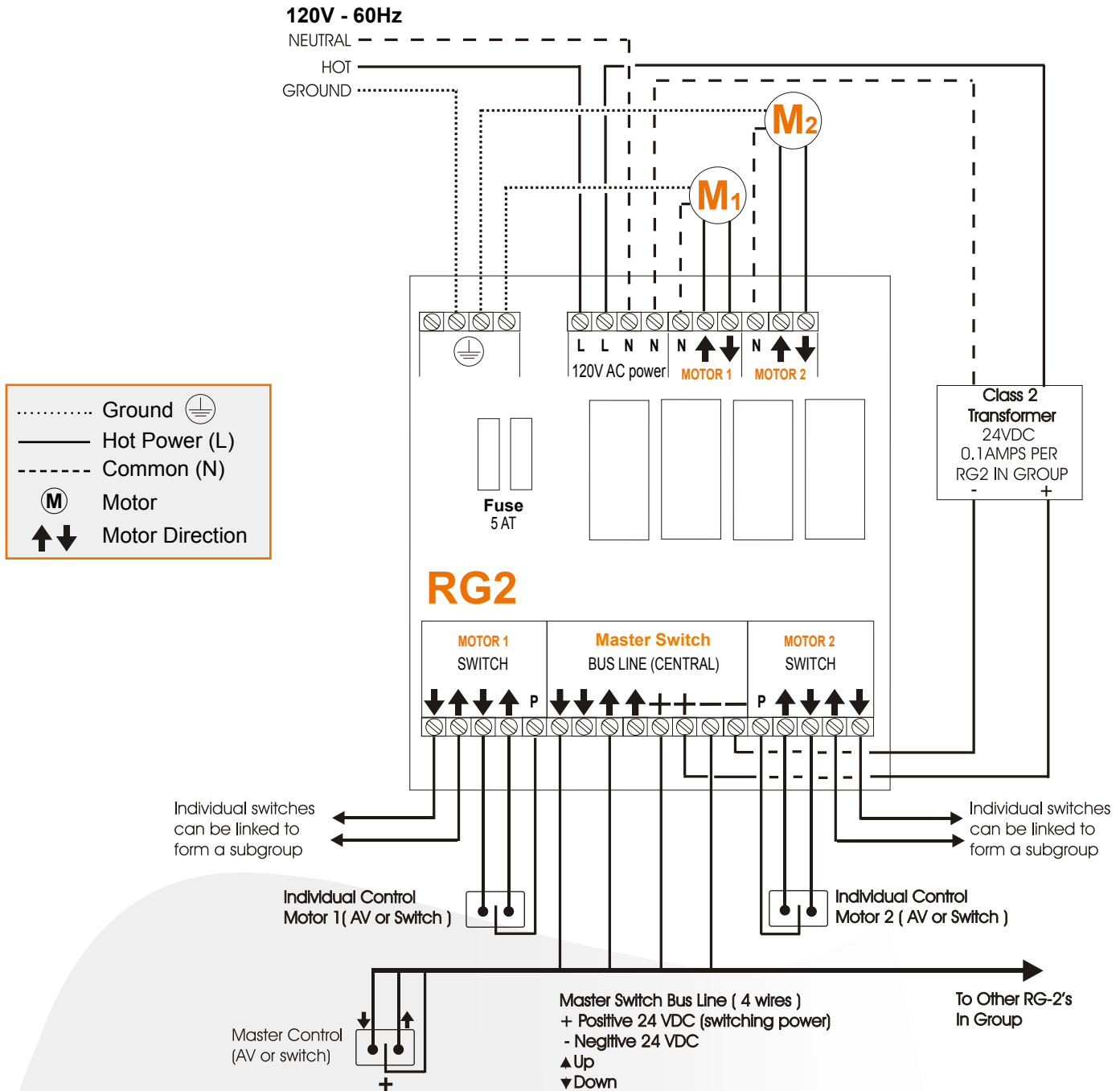


# RELAY GROUPS

## RG2

### RG2

- 2 motors
- Low-Voltage Momentary Master Switch
- 2 Low-Voltage Momentary Individual Control Switches



**NOTICE:** For installation by a qualified electrician in accordance with national and local electrical codes, and the following Instructions.

**CAUTION:** RISK OF ELECTRICAL SHOCK. Disconnect power before installing. Never wire energized electrical components.