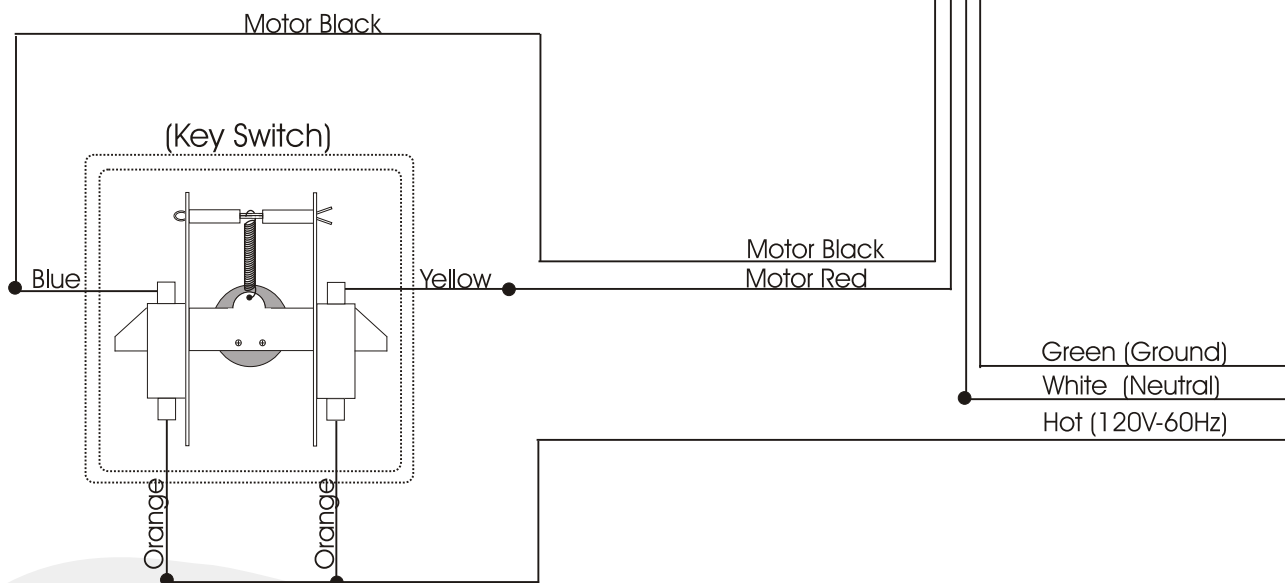
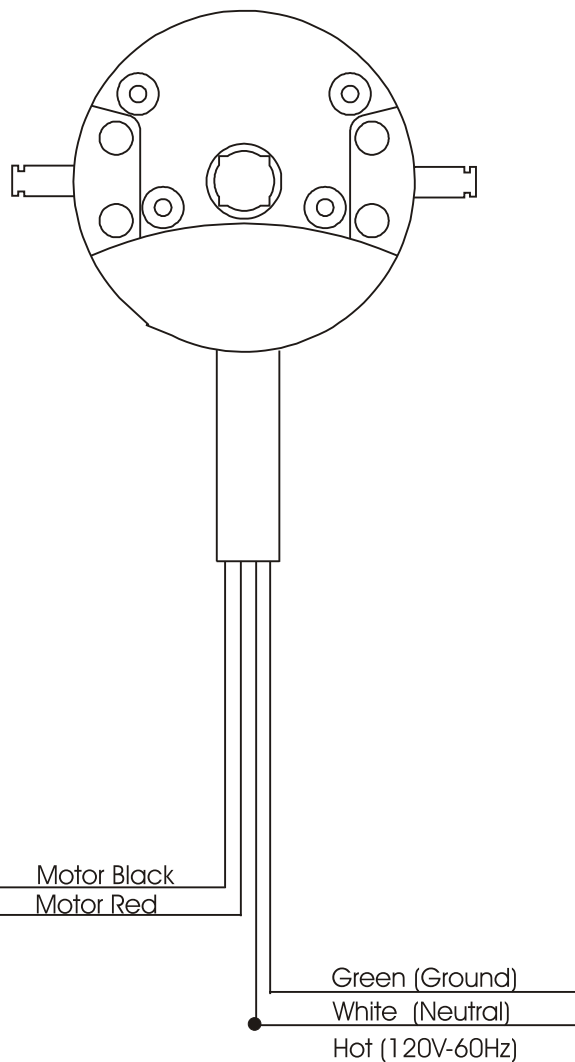


COMMERCIAL KEY SWITCH

- **NOTICE:** For installation by a qualified electrician in accordance with national and local electrical codes, and the following instructions.
- **CAUTION:** RISK OF ELECTRICAL SHOCK. Disconnect power before installing. Never wire energized electrical components.
- Select conductors having 90°C or higher rated insulation having sufficient ampacity in accordance with the 60°C column of National Electrical Code® table 310-16 or Canadian Electrical Code Table 2.
- DO NOT USE TIN CONDUCTORS.

⚠ WARNING:

- **DO NOT** wire more than one operator to a single pole switch. A second operator can be wired to the second pole of a double pole switch.
- **DO NOT** connect two switches to an operator without a relay.



Key Switch

- * One Motor
- * One Key Switch

Reference Numbers

- 1KX-R Momentary key switch, surface mount
- 1KF-R Momentary key switch, recessed mount